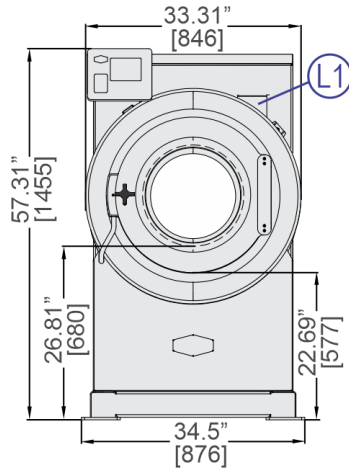


30015 V8Z

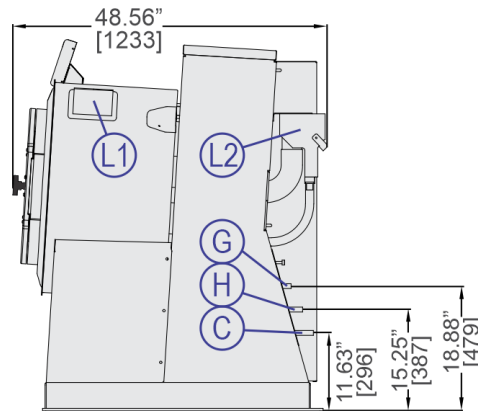
40 LB. (18KG) CAPACITY
RIGID-MOUNT WASHER-EXTRACTOR

SPECIFICATION SHEET

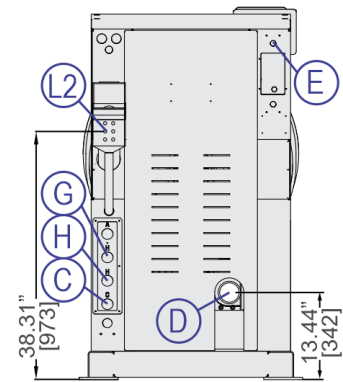
FRONT VIEW



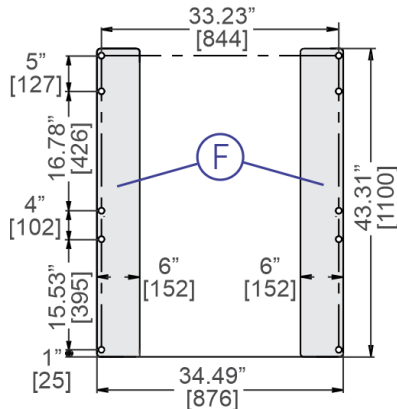
RIGHT SIDE VIEW



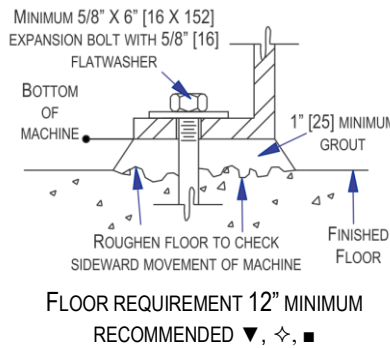
REAR VIEW



FOUNDATION



ANCHORING DETAIL



LEGEND

C	Cold water inlet, .75" (19 mm) GHT
D	Drain to sewer, 3" pipe connection
E	Electrical connection
F	Foundation pads
G	Hot water (chemical flushing), .75" (19 mm) GHT
H	Hot water inlet, .75" (19 mm) GHT
L1	Standard soap chute
L2	Liquid supply inlets

MECHANICAL SPECIFICATIONS

Capacity – lb (kg)	40 (18)
Cylinder Diameter x Depth – in (mm)	30 x 15 (762 x 381)
Door Opening – in (mm)	15.5 (394)
Cylinder Volume – cu. ft. (L)	6.14 (174)
Machine Dimensions (W x D x H) – in (mm)	34.5 x 48.62 x 57.31 (876 x 1234 x 1456)
Shipping Dimensions (W x D x H) – in (mm)	40 x 64 x 63 (1016x1625x1600)
Motor – HP (kW)	5 (3.72)
Wash Speeds – RPM	30-46
Distribution Speed – RPM	99
Extraction Speeds – RPM	200-840
Extraction G-Force	300
Static Weight – lb (kg) ✧	1144 (519)
Max. Dynamic Load RMS - lb (kg) ✧	2168 (983)
Frequency (Hz)	14
Water Pressure ^(Required) – psi (bar)	10-75 (.68-5.1)
Water Valve Cv Rating at 72°F (22°C)	10 (37.8)
Minimum Recommended Distance Between Machines – in (mm)	6 (152)

ELECTRICAL SPECIFICATIONS

Voltage	Running Amps	Fuse (Amps)	Circuit Breaker (Amps)
220/3/50-60	7	FRN20	20
208, 240/1/60	18, 16	FRN25	25
208, 240/3/60	8, 7	FRN20	20
380/3/50-60	4.5	FRS15	15
415/3/50	4.5	FRS15	15
480/3/60	3.5	FRS15	15

See Fuse and Wire Size manual MAEFUSE 1BE for safety information. Contact factory for electrical specifications if equipped with Electric Heat option. Contact factory for single phase availability.

▼ See dimensional drawing for complete details.

✧ It is the sole responsibility of the owner/user to assure that the floor and/or any other supporting structure exceeds not only all applicable building codes, but also that the floor and/or any other supporting structure for each washer-extractor or group of washer-extractors has sufficient strength and rigidity (i.e., a natural or resonant frequency many times greater than the rotational machine speed with a reasonable factor of safety) to support the weight of all the fully loaded machine(s) including the weight of the water and goods, and including the published 360° rotating sinusoidal RMS forces that are transmitted by the machine(s). Contact the factory for additional machine data for use by a structural engineer.

■ Machine bases made from concrete should either be part of a monolithic pour or should be tied into foundation and not isolated from existing floor.



30015 V8Z

40 LB. (18KG) CAPACITY

RIGID-MOUNT WASHER-EXTRACTOR

SPECIFICATION SHEET

Standard Features:

- RinSave® water saving technology
- 7 speeds (2 wash, 1 distribution, 1 RinSave, 3 extract)
- MilTouch™ touch screen controller
- Single-motor inverter drive
- Tall, lifting ribs
- Tapered roller bearings
- High M.A.F. (Mechanical Action Factor)
- Large cylinder perforations
- Fresh-water flushing chemical manifold
- Auto tension V-belt drive
- Six (6) liquid chemical injection ports
- Control is configurable to display your choice of language
- 5-year limited warranty on frame, cylinder & shell

Why Purchase Milnor?

- RinSave® water saver in conjunction with large cylinder perforations provides more efficient rinsing. **BENEFIT: Saves water, energy, and time.**
- Larger cylinder volume than most competitive similar sized washer-extractors provides *greater productivity*. More linen washed per day, or fewer hours required to process. **BENEFIT: Saves labor.**
- Faster process times reduce fabric wear, promoting *longer linen life!* **BENEFIT: Saves linen replacement costs.**
- High perforated ribs provide excellent lifting. **BENEFIT: Greater mechanical action leads to better wash quality.**
- 300-G high extract provides excellent moisture removal. Lower extract speeds are available for uniforms, delicate textiles and blended fabrics. **BENEFIT: Better extraction saves dryer fuel.**
- MilTouch™ touch screen control, utilizing resistive touch screen technology and full VGA resolution, has a clear and informative display which shows current machine status info including total formula time and time elapsed. Formulas can be developed on a PC, saved to USB external memory and uploaded with a screen touch. Controller also provides intuitive fault diagnosis and relevant troubleshooting suggestions. **BENEFIT: Fewer operator errors.**
- Superior product support through local, highly-skilled dealers. **BENEFIT: Faster repairs mean less downtime.**



Optional Features:

- Steam
- 3 compartment flushing supply injector
- Prison package



Safe chemical injection



Superior cylinder design



Solid industrial frame

Contact Milnor for your local, authorized dealer:

Pellerin Milnor Corporation
P.O. Box 400 • Kenner, LA 70063
t: 504-467-9591 • f: 504-468-3094

